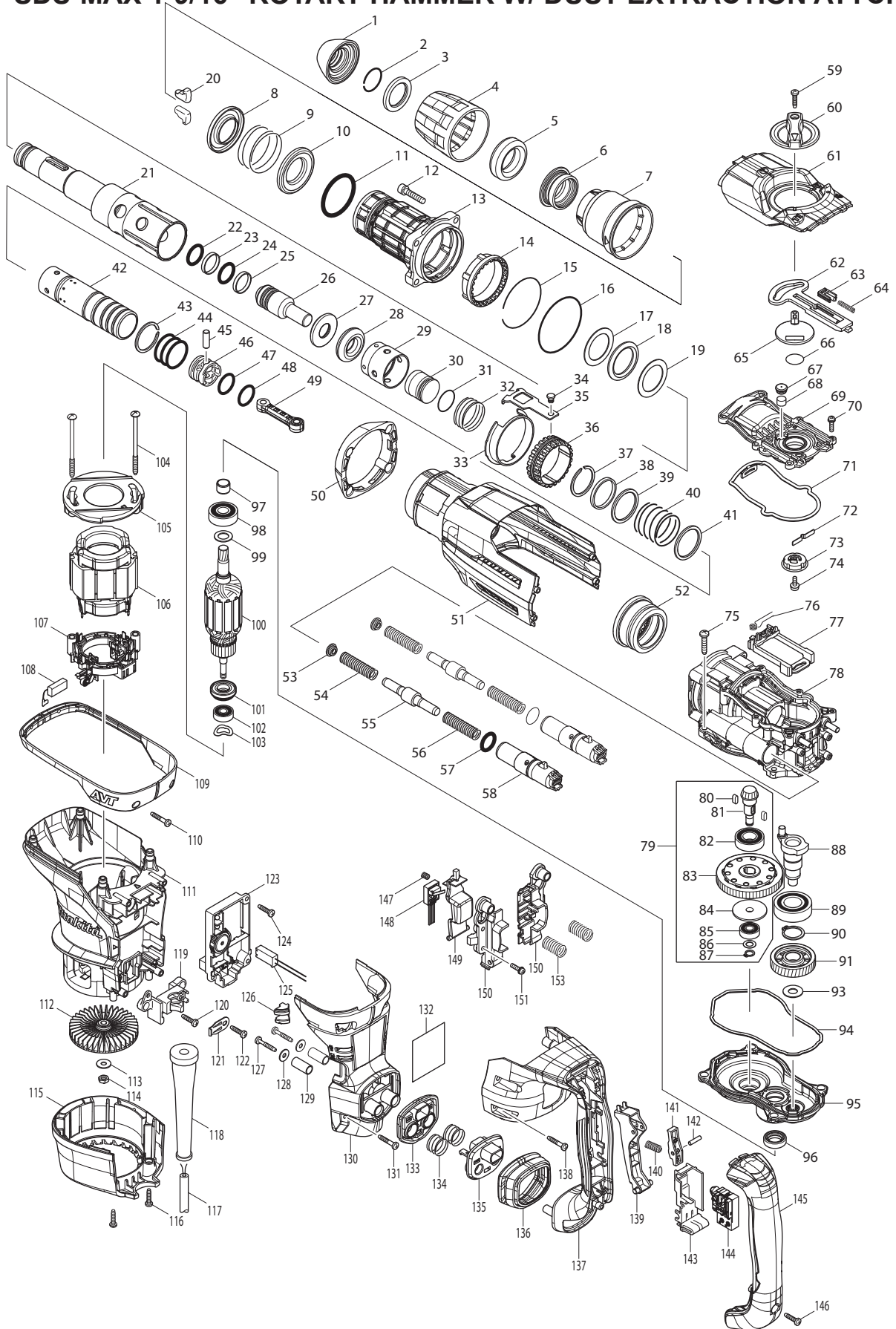




12 - 2013
HR4013C
SDS-MAX 1-9/16" ROTARY HAMMER
HR4013CV
SDS-MAX 1-9/16" ROTARY HAMMER W/ DUST EXTRACTION ATTCHMENT



Item No	Type	Sub	Part No.	Description	Qty	Unit
001			286292-7	TOOL HOLDER CAP	1	PC.
002			233948-3	RING SPRING 25	1	PC.
003			257308-5	RING 28	1	PC.
004			454330-5	CHUCK COVER	1	PC.
005			262167-4	RUBBER RING 30	1	PC.
006			326272-2	CHUCK RING	1	PC.
007			454331-3	RELEASE COVER	1	PC.
008			346670-4	SPRING GUIDE	1	PC.
009			234288-2	COMPRESSION SPRING 46	1	PC.
010			346670-4	SPRING GUIDE	1	PC.
011			213615-6	O RING 46	1	PC.
012			922351-0	HEX. SOCKET HEAD BOLT M6X30	4	PC.
		INC.	213246-1	O-RING 38 SA1004	1	PC.
		INC.	213490-0	OIL SEAL 32	1	PC.
		INC.	213492-6	O-RING 32	1	PC.
013			141956-9	BARREL COMPLETE	1	PC.
014			454337-1	LOCK SLEEVE	1	PC.
015			234290-5	RING SPRING 59	1	PC.
016			213707-1	O RING 65	1	PC.
017			267469-3	FLAT WASHER 32	1	PC.
018			262168-2	RUBBER RING 32	1	PC.
019			267469-3	FLAT WASHER 32	1	PC.
020			310257-8	TOOL RETAINER	2	PC.
021			326268-3	TOOL HOLDER	1	PC.
022			213317-4	O RING 20	1	PC.
023			213392-0	FLUORIDE RING 25	1	PC.
024			213317-4	O RING 20	1	PC.
025			213392-0	FLUORIDE RING 25	1	PC.
026			326269-1	IMPACT BOLT	1	PC.
027			326274-8	RING 17	1	PC.
028			262166-6	RUBBER RING 18	1	PC.
029			454347-8	SLIDE SLEEVE	1	PC.
030			326270-6	STRIKER	1	PC.
031			213695-2	O-RING 22	1	PC.
032			234289-0	COMPRESSION SPRING 33	1	PC.
033			346673-8	GUIDE RING	1	PC.
034			256548-2	FLAT FILLISTER HEAD PIN 6	1	PC.
035			346671-2	LINK PLATE	1	PC.
036			313255-1	DRIVING SLEEVE	1	PC.
037			257991-8	RETAINING RING (EXT) WR-32.5	1	PC.
038			257340-9	RING 33	1	PC.
039			267470-8	FLAT WASHER 33	1	PC.
040			234287-4	COMPRESSION SPRING 34	1	PC.
041			267470-8	FLAT WASHER 33	1	PC.
042			332063-1	CYLINDER 28.5	1	PC.
043			257991-8	RETAINING RING (EXT) WR-32.5	1	PC.
044			213406-5	O RING 30	3	PC.
045			256197-5	PIN 7	1	PC.
046			419004-5	PISTON	1	PC.
047			213379-2	O RING 21	1	PC.
048			213695-2	O-RING 22	1	PC.
049			454317-7	CONNECTING ROD	1	PC.
050			424560-2	HOUSING CAP	1	PC.
051			141957-7	HOUSING COVER A COMPLETE	1	PC.
052			227613-4	SPIRAL BEVEL GEAR 26	1	PC.
053			454342-8	SPRING PLATE	2	PC.
054			234286-6	COMPRESSION SPRING 11	2	PC.
055			326273-0	COUNTER WEIGHT	2	PC.

Item No	Type	Sub	Part No.	Description	Qty	Unit
056			234286-6	COMPRESSION SPRING 11	2	PC.
057			213325-5	O RING 19	2	PC.
058			142289-5	HOLDER COMPLETE	2	PC.
059			265995-6	TAPPING SCREW 4X18	1	PC.
060			454326-6	CHANGE LEVER	1	PC.
061			318988-3	CRANK CAP COVER	1	PC.
062			454339-7	CONTROL PLATE	1	PC.
063			454340-2	SLIDE PLATE	1	PC.
064			234284-0	COMPRESSION SPRING 4	1	PC.
065			454345-2	CRANK LEVER	1	PC.
066			213262-3	O RING 18	1	PC.
067			424556-3	FILTER CAP	1	PC.
068			443182-9	FILTER	1	PC.
069			454319-3	CRANK CAP	1	PC.
070			911128-8	PAN HEAD SCREW M4X16	6	PC.
071			424559-7	SEAL RING B	1	PC.
072			232280-2	LEAF SPRING	1	PC.
073			454318-5	LINK LEVER	1	PC.
074			911511-9	PAN HEAD SCREW M4X10	1	PC.
075			266041-8	TAPPING SCREW 5X25	4	PC.
076			233603-7	TORSION SPRING 7	1	PC.
077			454338-9	LINK GUIDE	1	PC.
078			141953-5	CRANK HOUSING A COMPLETE	1	PC.
		INC.		Item. 80-87		
079			126290-8	TORQUE LIMITER ASSEMBLY	1	PC.
080			254239-9	KEY 4	2	PC.
081			227612-6	SPIRAL BEVEL GEAR 7	1	PC.
082			211232-6	BALL BEARING 6002LLU	1	PC.
083			141959-3	TORQUE LIMITER COMPLETE	1	PC.
084			324727-1	SHOULDER WASHER 8	1	PC.
085			210005-4	BALL BEARING 608DDW	1	PC.
086			253215-0	FLAT WASHER 8	1	PC.
087			961004-6	RETAINING RING S-8	1	PC.
088			326271-4	CRANK SHAFT	1	PC.
089			211332-2	BALL BEARING 6004LLU	1	PC.
090			961060-6	RETAINING RING S-20	1	PC.
091			227772-4	HELICAL GEAR 37	1	PC.
093			253180-3	FLAT WASHER 10	1	PC.
094			424558-9	SEAL RING A	1	PC.
095			141955-1	GEAR HOUSING COMPLETE	1	PC.
096			213231-4	OIL SEAL 15	1	PC.
097			331596-3	SLEEVE 12	1	PC.
098			211137-0	BALL BEARING 6201LLU	1	PC.
099			253744-3	FLAT WASHER 12	1	PC.
		INC.		Item. 97,98,99,101,102		
100			513886-8	ARMATURE ASS'Y 115V	1	PC.
101			681650-6	INSULATION WASHER	1	PC.
102			210005-4	BALL BEARING 608DDW	1	PC.
103			267721-9	WAVE WASHER 15	1	PC.
104			266568-8	TAPPING SCREW 5X80	2	PC.
105			454329-0	BAFFLE PLATE	1	PC.
106			625756-0	FIELD 115V	1	PC.
107	2		632E31-7	BRUSH HOLDER UNIT	1	PC.
108	2		197244-2	CARBON BRUSH CB-351 2PC/SET W/ORIGIN	1	SET
109			454348-6	GUARD 40	1	PC.
110			265999-8	TAPPING SCREW 4X25	2	PC.
111			454316-9	MOTOR HOUSING	1	PC.
112			240146-2	FAN 76	1	PC.

Item No	Type	Sub	Part No.	Description	Qty	Unit
113			253047-5	FLAT WASHER 6	1	PC.
114			931303-0	HEX. NUT M6	1	PC.
115			454328-2	REAR COVER	1	PC.
116			265995-6	TAPPING SCREW 4X18	2	PC.
117			664276-9	CORD W/PLUG 2P-16-5.0M, SJ	1	PC.
118			682560-0	CORD GUARD 10	1	PC.
119			419024-9	CORD CLAMP BASE	1	PC.
120			265995-6	TAPPING SCREW 4X18	1	PC.
121			687169-3	STRAIN RELIEF	1	PC.
122			265995-6	TAPPING SCREW 4X18	1	PC.
123			620199-1	CONTROLLER	1	PC.
124			265995-6	TAPPING SCREW 4X18	1	PC.
125			632B52-1	LEAD UNIT	1	PC.
126			454346-0	LENS	1	PC.
127			265999-8	TAPPING SCREW 4X25	2	PC.
128			253194-2	FLAT WASHER 5	2	PC.
129			257813-2	SLEEVE 9	2	PC.
130			454320-8	HANDLE BASE	1	PC.
131			266041-8	TAPPING SCREW 5X25	2	PC.
132			814T16-7	HR4013C NAME PLATE	1	PC.
133			454343-6	DUST SUPPORT A	1	PC.
134			234283-2	COMPRESSION SPRING 18.5	2	PC.
135			454344-4	DUST SUPPORT B	1	PC.
136			424557-1	DUST COVER	1	PC.
137			454321-6	HANDLE A	1	PC.
138			265999-8	TAPPING SCREW 4X25	4	PC.
139			454332-1	SWITCH LEVER A	1	PC.
140			234285-8	COMPRESSION SPRING 7	1	PC.
141			454327-4	SUB LEVER	1	PC.
142			268309-8	PIN	1	PC.
143			154626-1	SWITCH HOLDER COMPLETE	1	PC.
144			650678-5	SWITCH C3PA-1121	1	PC.
145			454323-2	HANDLE COVER	1	PC.
146			265995-6	TAPPING SCREW 4X18	1	PC.
147			234281-6	COMPRESSION SPRING 6	1	PC.
148			632A83-4	SWITCH UNIT	1	PC.
149			454336-3	SWITCH LEVER C	1	PC.
150			187692-3	SWITCH CASE SET	1	SET
151			911128-8	PAN HEAD SCREW M4X16	4	PC.
153			234282-4	COMPRESSION SPRING 12	2	PC.
C01			875041-3	CARTON F/HR4013C	1	PC.

ACCESSORIES

- See Catalogue or visit www.makita.ca for more accessories -

A01			123138-5	SIDE GRIP ASSEMBLY	1	PC.
	INC.		158131-0	GRIP 36 COM.	1	PC.
	INC.		234226-4	COMPRESSION SPRING 6	1	PC.
	INC.		266163-4	CSN BOLT M8X80	1	PC.
	INC.		313223-4	RACK GUIDE	1	PC.
	INC.		344492-6	PLATE	1	PC.
	INC.		346535-0	GRIP SPRING 73	1	PC.
	INC.		453114-8	LOCK BUTTON	1	PC.
	INC.		453119-8	SIDE GRIP BASE 73	1	PC.
A02			196792-8	SIDE HANDLE 73 SET, D-SHAPE	1	PC.
	INC.		837544-5	INNER TRY F/PLASTICE CASE	1	PC.
	INC.		142286-1	PLASTIC CASE COM.	1	PC.
	INC.		123259-3	SIDE HANDLE 73 ASSY	1	PC.
	INC.		141960-8	SIDE HANDLE 73 COM	1	PC.
	INC.		252640-2	WING NUT M8	1	PC.

Item No	Type	Sub	Part No.	Description	Qty	Unit
		INC.	265439-6	HH BOLT M8X150	1	PC.
		INC.	417002-3	SIDE HANDLE CAM	1	PC.
		INC.	417003-1	SIDE HANDLE	1	PC.
A04			141977-1	PLASTIC CARRYING CASE COMPLETE F/HR4013C	1	PC.
		INC.	162271-8	LATCH	2	PC.
		INC.	801Y02-7	INDICATION LABEL	1	PC.
A05			331955-1	DEPTH GAUGE	1	PC.
A06			443122-7	CLOTH	1	PC.
A18	2		199014-5	DUST EXTRACTOR ATTACHMENT SDS-MAX	1	PC.
		INC.	123066-4	DEPTH GAUGE B ASSEMBLY	1	PC.
		INC.	142287-9	PLASTIC CASE COMPLETE	1	PC.
		INC.	162356-0	DUST COVER COMPLETE	1	PC.
		INC.	424472-9	DUST COVER CAP	2	PC.
		INC.	453118-0	BELLOWS	2	PC.
		INC.	453674-0	JOINT 25	1	PC.
		INC.	454809-6	HOSE HOLDER C	1	PC.
		INC.	455810-4	JOINT	2	PC.
		INC.	458101-2	HOLDER JOINT	1	PC.
		INC.	687010-0	BAND	1	PC.
A19	1		196571-4	DUST EXTRACTOR ATTACHMENT SET	1	PC.
		INC.	142350-8	HOSE COMPLETE 28 - 1.5	1	PC.
		INC.	415021-3	HOSE JOINT	1	PC.
		INC.	454749-8	HOSE HOLDER A	1	PC.
		INC.	454750-3	HOSE HOLDER B	1	PC.
		INC.	454809-6	HOSE HOLDER C	1	PC.
		INC.	195545-2	FRONT CUFF 38 PKG (BULK# 417766-9)	1	PC.
		INC.	195547-8	FRONT CUFF 22	1	PC.
	2		199019-5	DUST EXTRACTOR ATTACHMENT SET	1	PC.
		INC.	142350-8	HOSE COMPLETE 28 - 1.5	1	PC.
		INC.	195545-2	FRONT CUFF 38 PKG (BULK# 417766-9)	1	PC.
		INC.	195545-2	FRONT CUFF 38 PKG (BULK# 417766-9)	1	PC.
		INC.	415021-3	HOSE JOINT	1	PC.
		INC.	454749-8	HOSE HOLDER A	1	PC.
		INC.	454750-3	HOSE HOLDER B	1	PC.
		INC.	454809-6	HOSE HOLDER C	1	PC.
A20	1		196532-4	HAMMER SERVICE KIT (CB-350 included)	1	PC.
	2		197298-9	HAMMER SERVICE KIT (CB-351 included)	1	PC.